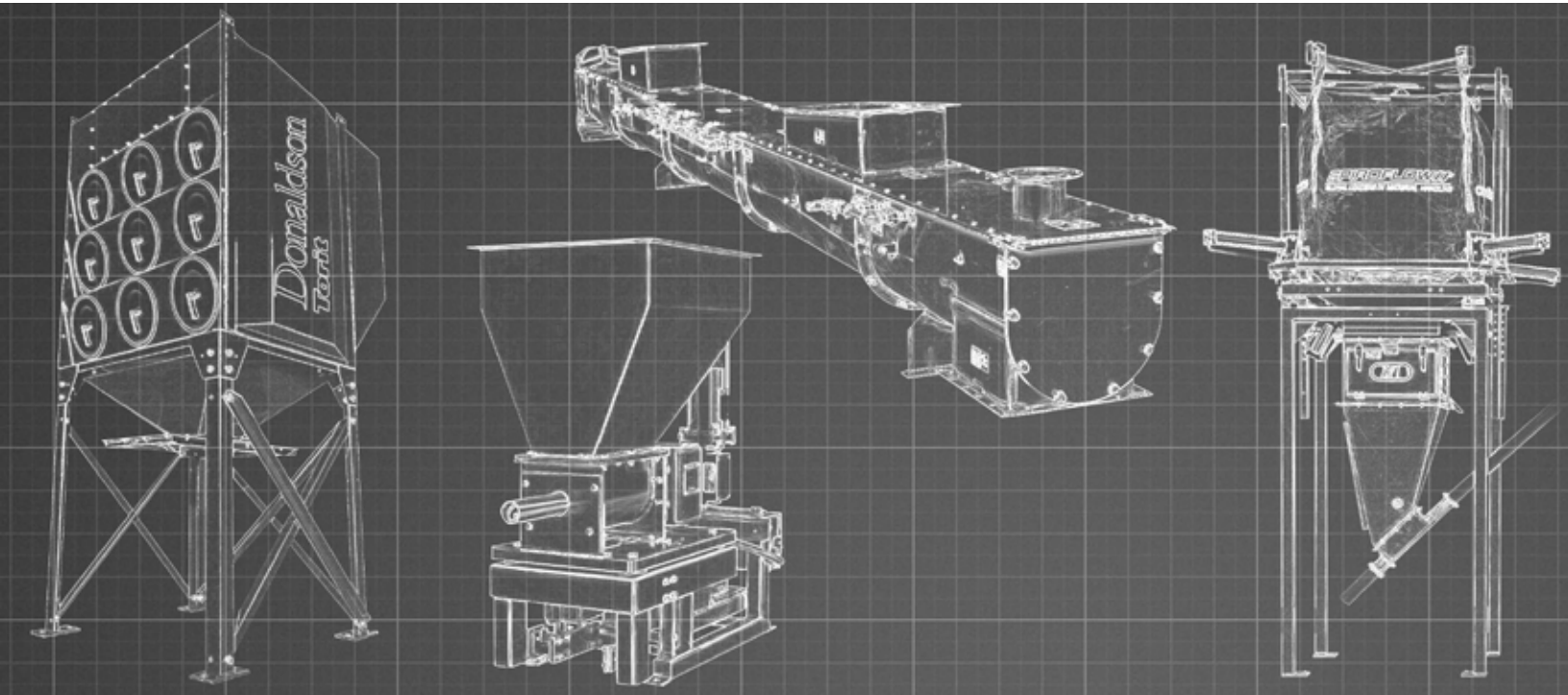


BULK MATERIAL HANDLING SOLUTIONS



PNEUMATIC & MECHANICAL CONVEYING

WEIGHING, FEEDING & LEVEL DETECTION

DUST COLLECTION, DUCTING & CYCLONES

EXPLOSION MITIGATION AND PREVENTION

BULK DISCHARGE, FILLING & TRANSLOADING

MAGNETIC SEPARATION & METAL DETECTION

SIZE REDUCTION, GRINDING & COMPACTION

PACKAGING, STRETCH HOODERS & PALLETIZERS

ROTARY VALVES, DIVERTER VALVES & DEDUSTERS

**SCREENING, SIZERS, SORTING, FLUIDIZED BED SPRAY
& DRUM DRYERS AND COOLERS**

APPROTEC RAN-LE

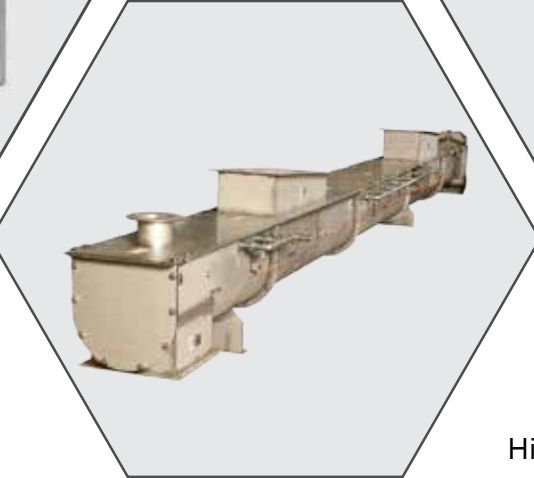
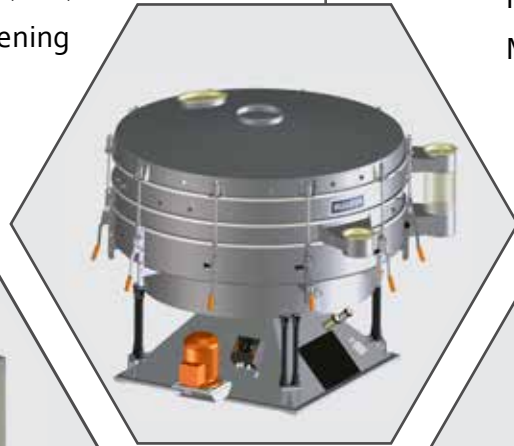
Approtec Ran-Le provides solutions for customers located in Texas, Louisiana, Oklahoma, Arkansas and Southern Mississippi. For more than 40 years, we have been providing material handling solutions to a wide range of industries. Projects range from bulk bag discharging and batching or pneumatically conveying plastic pellets to metal detection on a food packaging line or ultra high efficiency cyclones and wet scrubbers.



approtec.com

Size Reduction

Fine Grinding and Milling Machines
 Scalable Lab System™ (SLS)
 Industrial Powder Screening
 COMIL® Conical Mill



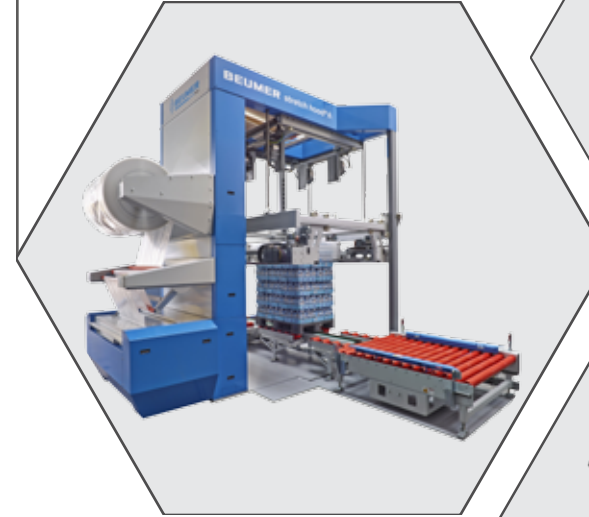
Drying and Screening Process Technology

Gyratory & Circular Motion Screening Machines
 Tumbler & Vibratory Screening Machines
 Fluidized Bed, Drum Dryers and Coolers
 Mogensen Sizers & Sorters



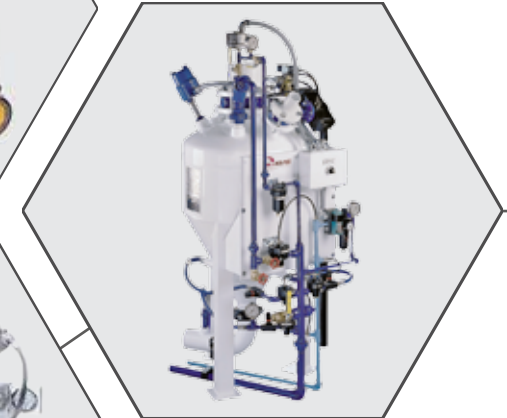
Palletizing and Packaging

Plastics, Chemicals, Brick & Cement, Beverage
 FillPac® RH / RV Impeller Filling System
 Efficient and Precise Palletizing Lines
 Stretch Hooders and Wrappers



Material Handling Valves

Medium & High Pressure Rotary Valves
 Pneumatic Samplers
 Spherical Disc Valves
 Gas Tight Disc Valves
 Plug Diverter Valves
 Diverter Valves



Mechanical Conveying Systems

Tubular Drag Conveyors
 Aeromechanical Conveyors
 Flexible Screw Conveyors
 Belt & Chain Bucket Elevators
 Overland Conveying
 Conveyor Parts & Components

Air Pollution Control

High Pressure & Temperature Dust Collection
 Particulate Monitoring & Control Systems
 Wet Scrubbing & Packed Tower Systems
 Baghouse & Pulse Jet Dust Collectors
 Pollution Control / Product Recovery
 Filter Bags, Cartridges & Ancillary Parts
 Broken Bag Detection
 Dry Sorbent Injection

Bagging, Filling and Unloading

Bulk Bag Fillers with Cone Table Densification
 Volumetric & Gravimetric Feeders
 Bulk Bag Container Dischargers
 Truck & Railcar Loading Spouts
 Airslides & Mass Flow Feeders
 Bulk Bag Conditioners

Pneumatic Conveying Systems

Engineered Weighing and Batching Systems
 Pneumatic Blending and Mixing Systems
 Electrical Process Controls Engineering
 Dense Phase Pneumatic Conveying
 Sanitary Vacuum Transfer Systems
 Housekeeping Vacuum Systems
 DeDuster® Systems

1976

1994

2007

2010

2017



John Lewis founded
 Ran-Le & Associates

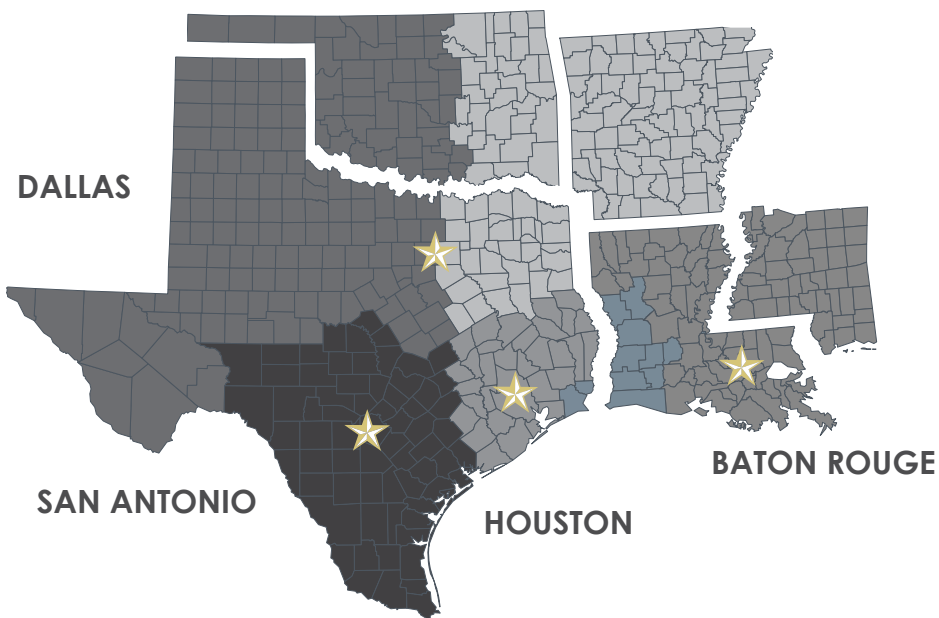
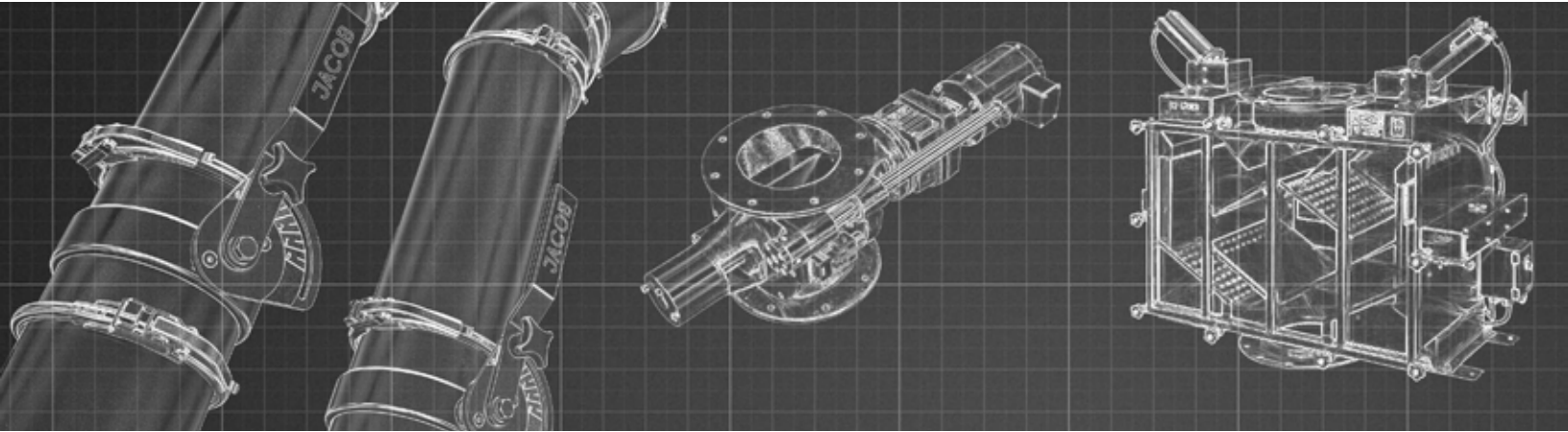
Gary Sealy founded
 Approtec Equipment Sales

Approtec acquires Ran-Le
 to form Approtec Ran-Le

Tony Kniffen & Brian Vandenberg
 purchase Approtec Ran-Le

Approtec Ran-Le acquires
 RK Wilson & Associates

BULK MATERIAL HANDLING SOLUTIONS



Proudly serving our customers for over 40 years. Supported by North American based manufacturing, our principles provide systems, components and replacement parts, and state-of-the-art test facilities.

www.approtec.com

Get in touch

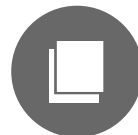
Call us at [\(281\) 350-0550](tel:2813500550) or send us an email at info@approtec.com



SAND



PLASTICS



PULP & PAPER



WOOD PELLETS



AGGREGATES



CEMENT



FOOD



CHEMICALS